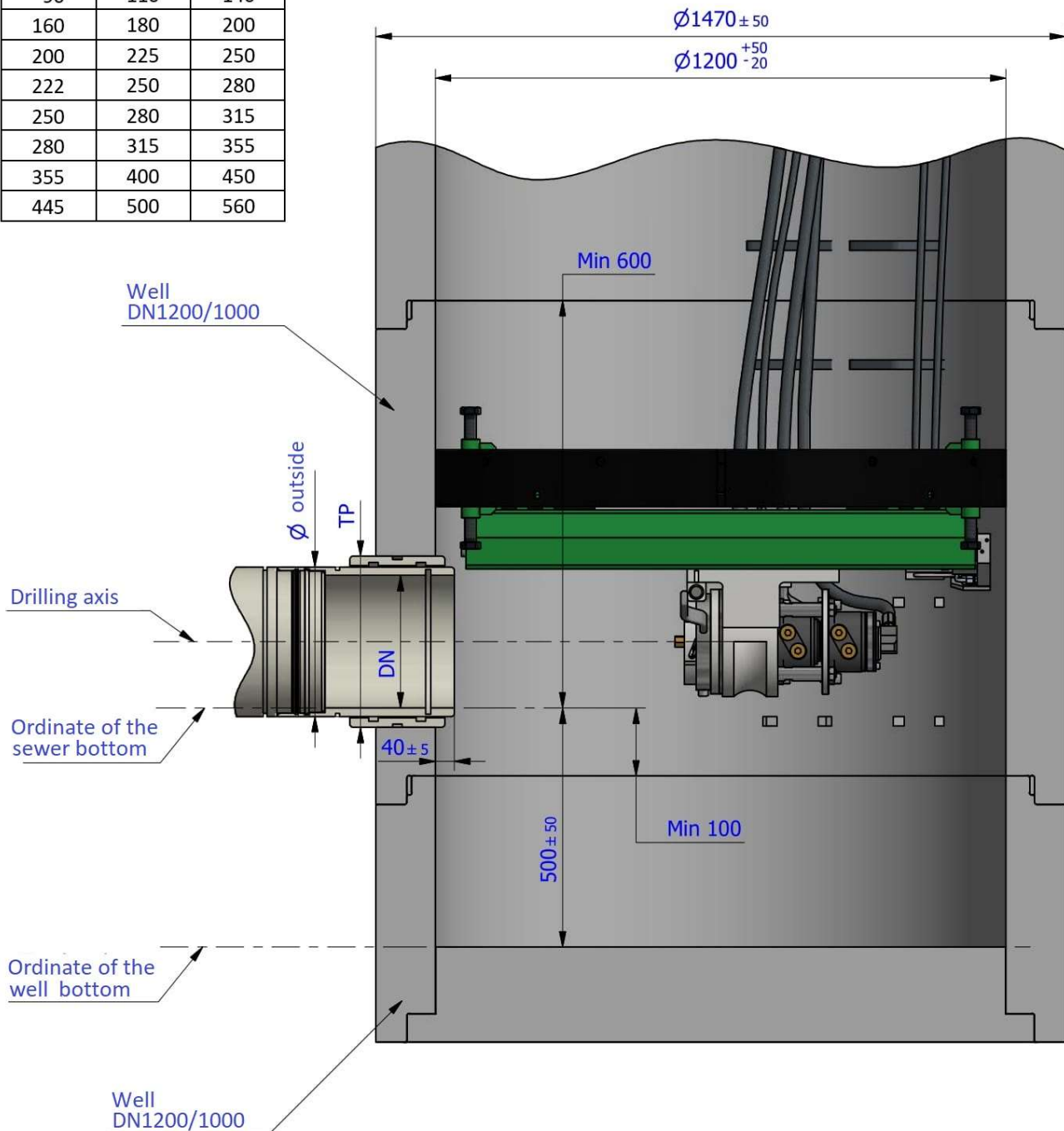




## Requirements for the optimal well for the application of Gravity Drilling technology

DN	Ø <sub>outside</sub>	TP
90	110	140
160	180	200
200	225	250
222	250	280
250	280	315
280	315	355
355	400	450
445	500	560



- dimensions in mm
- seal the joints of the well circles, e.g. CERESIT CX5
- remove the steps up to the drilling rig installation height

